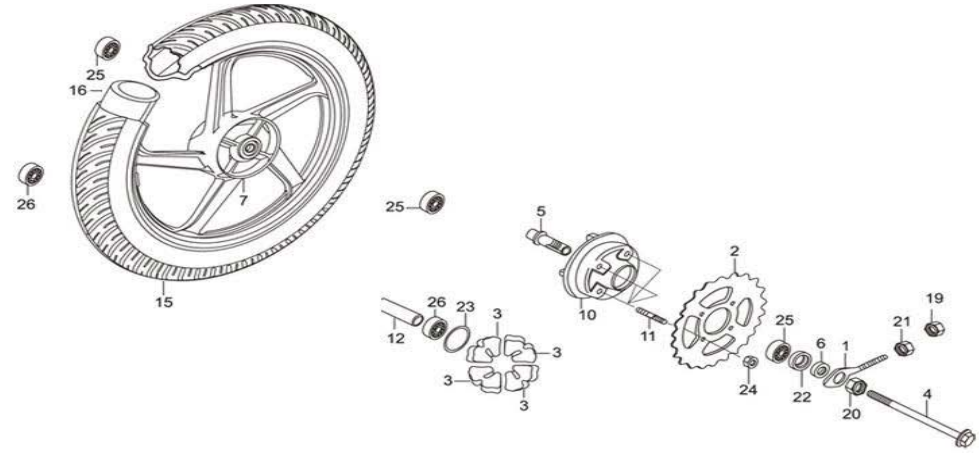


**F-11**  
REAR WHEEL



Service Item	F.R.T.	BOM Of Group Number: F-11 Model :: Passion PRO (Special Edition)			
		Ref No.	Part Number	Description	Req.
AXLE, RR. WHEEL	0.2	1	40544-198-900	ADJUSTER, 'L' CHAIN	1
SPROCKET FINAL DRIVEN	0.7	2	41201-KST-940	SPROCKET, FINAL DRIVEN (44T)	1
DAMPER RR. WHEEL (ONE OR ALL)	0.4 --	3	41241-KTC-900	DAMPER, REAR WHEEL	4
COLLAR, RR. AXLE DIATANCE	--	4	42301-KST-940	AXLE, RR. WHEEL	1
BEARING RADIAL BALL 6301 (ADD 0.1 FOR EACH)	--	5	42303-KCC-600	SLEEVE RR. WHEEL	1
SLEEVE, RR. WHEEL	0.5	6	42304-198-900	COLLAR, RR.AXLE SLEEVE	1
HUB RR. WHEEL	2.5	7	42601-KTR-700	WHEEL REAR	1
FLANGE FINAL DRIVEN	0.8	10	42611-KWA-940	FLANGE FINAL DRIVEN	1
TYRE FR. 2.75×18-6 PR	0.9	11	42615-KCC-600	BOLT, STUD., 8X35.5	4
RIM WHEEL 1.60×18	2.3	12	42620-KTR-700	COLLAR, REAR AXLE DISTANCE	1
BEARING RADIAL BALL 6303	0.6	15	42711-KCC-730	TYRE, RR (3.0 X 18 - 6PR)	1
		16	42712-P11-000	TUBE, TYRE (2.75-3.0 X 18)	1
		19	90306-KST-942	NUT, CASTLE, 12 MM	1
		20	90307-001-000	NUT ,RR. AXLE SLEEVE	1
		21	90308-KWA-940	NUT PT. 8MM	4
		22	90753-029-000	OIL SEAL, 27 X 40 X 6	1
		23	91304-704-000	O-RING 42 MM	1
		24	94001-06000-0S	NUT, HEX., 6 MM	2
		25	96140-63010-10	BEARING, RADIAL BALL, 6301U	2
		26	96150-62030-10	BEARING, BALL RADIAL, 6203 (UU)	1