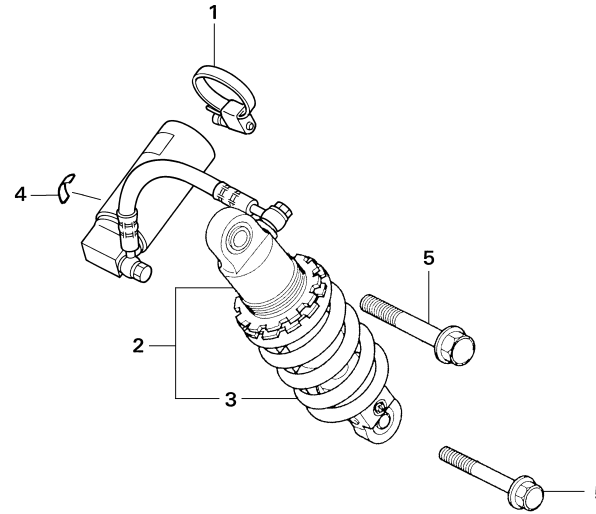


Block No.

F-20
REAR CUSHION

2006 NSF100



FR.

Ref. No.	Part No.	Description	Reqd. No.	Remarks
• 1	50232-NX2-000	BAND, SUB TANK	1	
• 2	52400-NX2-003	CUSHION ASSY., REAR	1	J
•	52400-NX2-701	CUSHION ASSY., REAR	1	ED, A, CM
• 3	52401-NLA-003	SPRING, REAR CUSHION	1	K=18.5kgf/mm
•	52402-NLA-003	SPRING, REAR CUSHION	(1)	K=18.0kgf/mm
•	52403-NLA-003	SPRING, REAR CUSHION	(1)	K=19.0kgf/mm
4	87516-KZ1-881	LABEL, RR. DAMPER (FRENCH)	1	CM
5	96400-10035-00	BOLT, FLANGE, 10X35	2	