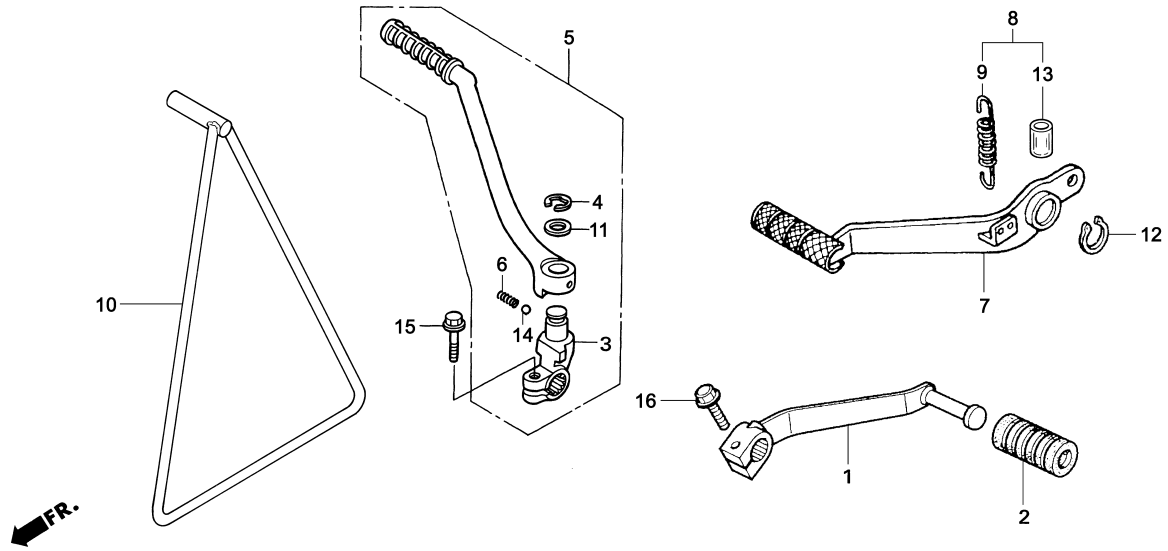


Block No.

F-17

PEDAL / KICK STARTER ARM

2006 NSF100



Ref. No.	Part No.	Description	Reqd. No.	Remarks
15	96300-08025-07	BOLT, FLANGE, 8X25	1 A (1) J, ED, CM	
16	96300-06020-00	BOLT, FLANGE, 6X20	1	