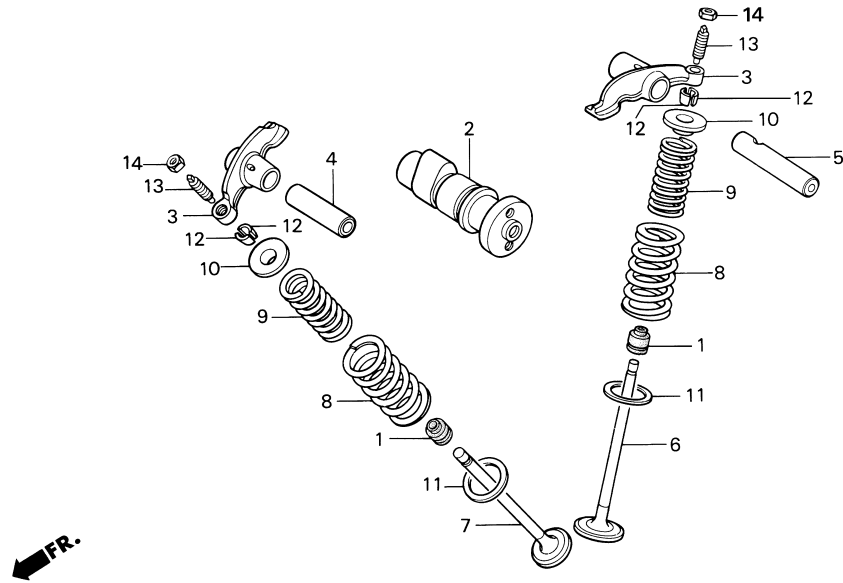


Block No.

E-3
CAMSHAFT / VALVE

2006 NSF100



Ref. No.	Part No.	Description	Reqd. No.	Remarks
1	12208-413-003	SEAL, VALVE STEM (ARAI).....	2	
2	14101-436-000	CAMSHAFT	1	
3	14431-116-010	ARM, VALVE ROCKER	2	
4	14451-035-000	SHAFT, VALVE ROCKER ARM.....	1	
5	14451-149-000	SHAFT, VALVE ROCKER ARM.....	1	
6	14711-152-000	VALVE, IN.....	1	
7	14721-176-000	VALVE, EX	1	
8	14751-149-000	SPRING, VALVE OUTER	2	
9	14761-115-010	SPRING, VALVE INNER.....	2	
10	14771-107-020	RETAINER, VALVE SPRING	2	
11	14775-107-000	SEAT, VALVE SPRING OUTER.....	2	
12	14781-107-003	COTTER, VALVE (SANKO)	4	
13	90012-333-000	SCREW, TAPPET ADJUSTING	2	
14	90206-001-000	NUT, TAPPET ADJUSTING	2	