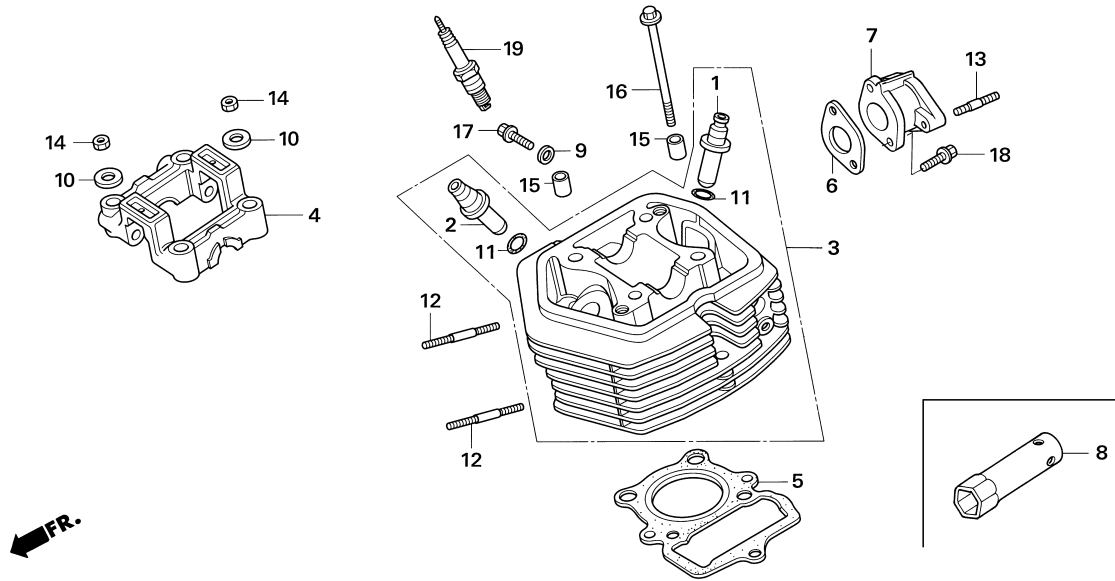


Block No.

**E-2
CYLINDER HEAD**

2006 NSF100



Ref. No.	Part No.	Description	Reqd. No.	Remarks
1	12021-149-405	GUIDE, IN. VALVE (OVER, SIZE)	1	
2	12023-465-405	GUIDE, EX. VALVE (OVER, SIZE)	1	
3	12200-KN4-A60	HEAD COMP., CYLINDER	1	
4	12210-149-020	HOLDER, CAMSHAFT	1	
5	12251-KN4-751	GASKET, CYLINDER HEAD	1	
6	16229-KN4-750	GASKET, CARB INSULATOR	1	
• 7	17110-NX2-000	PIPE COMP., INLET	1	
8	89216-KW3-000	BOX WRENCH, P16	1	
9	90478-700-000	WASHER A, 6MM	1	
10	90483-028-000	WASHER, 8MM	4	
11	91301-200-000	O-RING, 10X1.6	2	
12	92700-06032-0B	BOLT, STUD, 6X32	2	
13	92712-06028-0B	BOLT, STUD, 6X28	2	
14	94002-08200-0S	NUT, HEX., 8MM	4	
15	94301-10160	DOWEL PIN, 10X16	2	
16	95701-06110-00	BOLT, FLANGE, 6X110	1	
17	96001-06016-00	BOLT, FLANGE, SH, 6X16	1	
18	96001-06018-00	BOLT, FLANGE, SH, 6X18	2	
19	98056-56718	PLUG, SPARK (CR6HSA)(NGK)	(1)	
	98056-56726	PLUG, SPARK (U20FSR-U)(DENSO)	(1)	