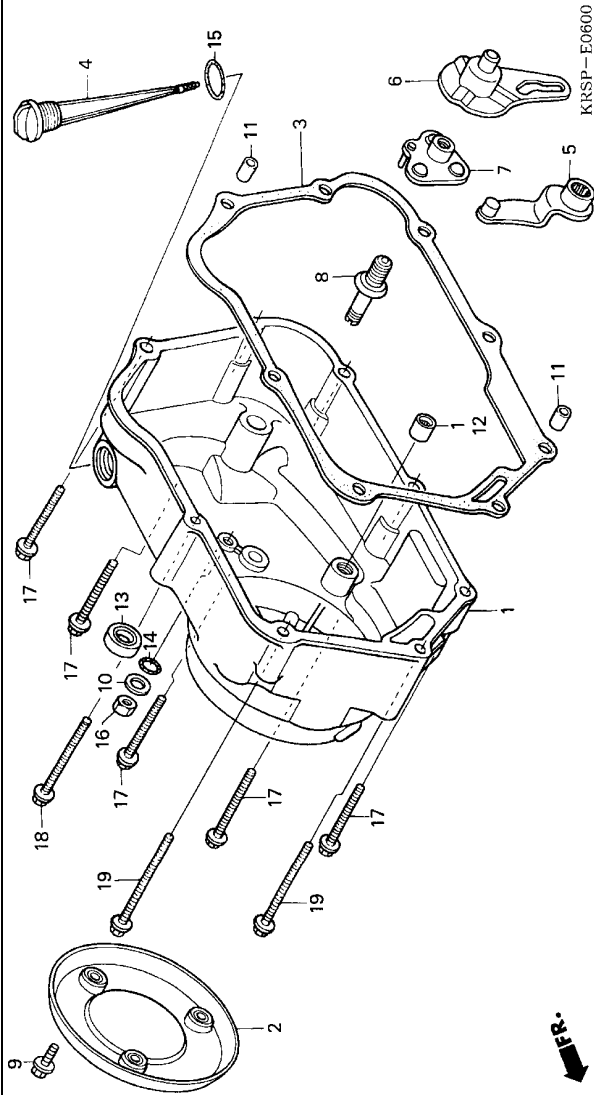


RIGHT CRANKCASE COVER

E-6



Service item	F.R.T.
GASKET, R. CRANKCASE COVER	0.6
OIL SEAL, 13.8X24X5	
PLATE, CLUTCH LIFTER CAM	
LEVER COMP., CLUTCH	0.7
(INC. RELATIVE PART)	
LIFTER COMP., CLUTCH	
(INC. RELATIVE PART)	
COVER COMP., R. CRANKCASE	0.8

Ref. No.	Part No.	Description	Reqd. QTY	Serial No.	Parts catalogue code
1	11330-KEV-900	COVER COMP., R. CRANKCASE	1	1	
2	11370-KEV-900	PROTECTOR COMP., R. COVER	1	1	
3	11394-KFL-850	GASKET, R. CRANKCASE COVER	1	1	
4	15651-GN5-640	GAUGE, OIL LEVEL	1	1	
5	22810-GN5-910	LEVER COMP., CLUTCH	1	1	
6	22823-KFL-850	PLATE, CLUTCH LIFTER CAM	1	1	
7	22840-KFL-850	LIFTER COMP., CLUTCH	1	1	
8	22846-GN5-910	BOLT, CLUTCH ADJUSTING	1	1	
9	90005-GHB-610	BOLT, FLANGE, 6X12	3	3	
10	90485-040-000	WASHER, 8MM	1	1	
11	90702-KFM-900	DOWEL PIN, 8X12	2	2	
12	91021-148-004	BEARING, NEEDLE, 1010(KNTN)	1	1	
13	91202-KFL-841	OIL SEAL, 13.8X24X5	1	1	
14	91303-001-000	O-RING, 8MM	1	1	
15	91307-035-000	O-RING, 18X3	1	1	
16	94030-08000	NUT, HEX., 8MM	1	1	
17	96001-06040-00	BOLT, FLANGE, 6X40	5	5	
18	96001-06065-00	BOLT, FLANGE, 6X65	1	1	
19	96001-06080-00	BOLT, FLANGE, 6X80	2	2	