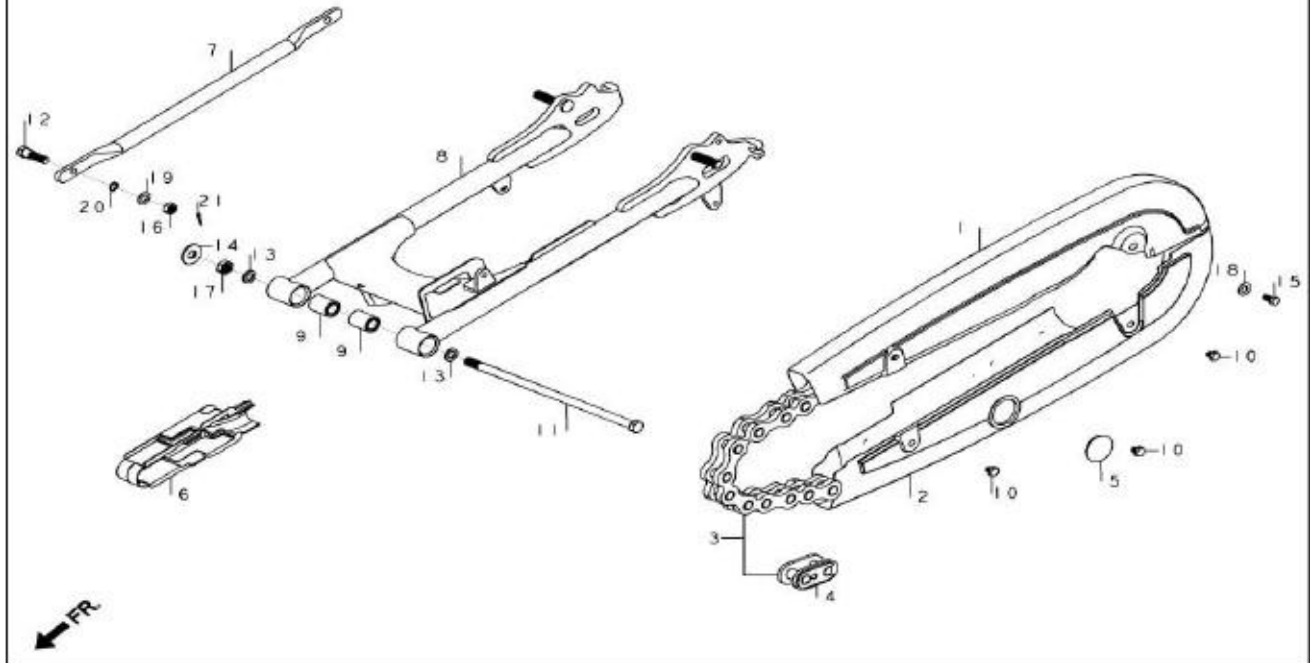


F-19
SWINGARM / CHAIN CASE



Service Item	F.R.T.	BOM Of Group Number: F-19 Model :: CD Dawn (Apr, 2003)			
		Ref No.	Part Number	Description	Req.
CASE, UPPER (HALF) DRIVE CHAIN (NH-35M) (ONE OR ALL)	0.1 --	1	40510-198-900	CASE, UPPER (HALF) DRIVE CHAIN (NH-35M)	1
CHAIN, DRIVE	0.3	2	40520-198-900	CASE, UNDER(HALF) DRIVE CHAIN (NH-35M)	1
ARM,RR. BRAKE STOPPER	0.2	3	40530-KE6-830	CHAIN, DRIVE	1
SWINGARM COMP.,RR	0.7	4	40531-205-013	JOINT,RJ DRIVE CHAIN'	1
RUBBER BUSH, RR. FORK PIVOT	1.0	5	40545-001-000	CAP, CHAIN PEEP HOLE	1
PACKING, DRIVE CHAIN CASE	--	6	40591-KCC-900	PACKING DRIVE CHAIN CASE	1
		7	43431-198-900	ARM,RR. BRAKE STOPPER	1
		8	52110-KST-900	SWINGARM COMP.,RR	1
		9	52181-001-300	RUBBER BUSH, RR. FORK PIVOT	2
		10	90118-383-000	BOLT, WASHER, 6 X6	3
		11	90121-KCC-900	BOLT, SWING ARM PIVOT	1
		12	90133-331-770	BOLT, HEX., 8MM	1
		13	90183-KR8-000	WASHER SPL. 10 MM	2
		14	90551-178-000	WASHER,SPL., 10MM	1
		15	92000-06012-0A	BOLT,HEX.,6X12	1
		16	94001-08000-0S	NUT, HEX., 8 MM	1
		17	94030-10000	NUT HEX., 10MM	1
		18	94101-06000	WASHER, PLAIN, 6 MM	1
		19	94101-08000	WASHER, PLAIN, 8MM	1
		20	94111-10800	WASHER SPRING, 10 MM	1
		21	94201-20150	PIN, SPLIT, 2.0 X 15	1