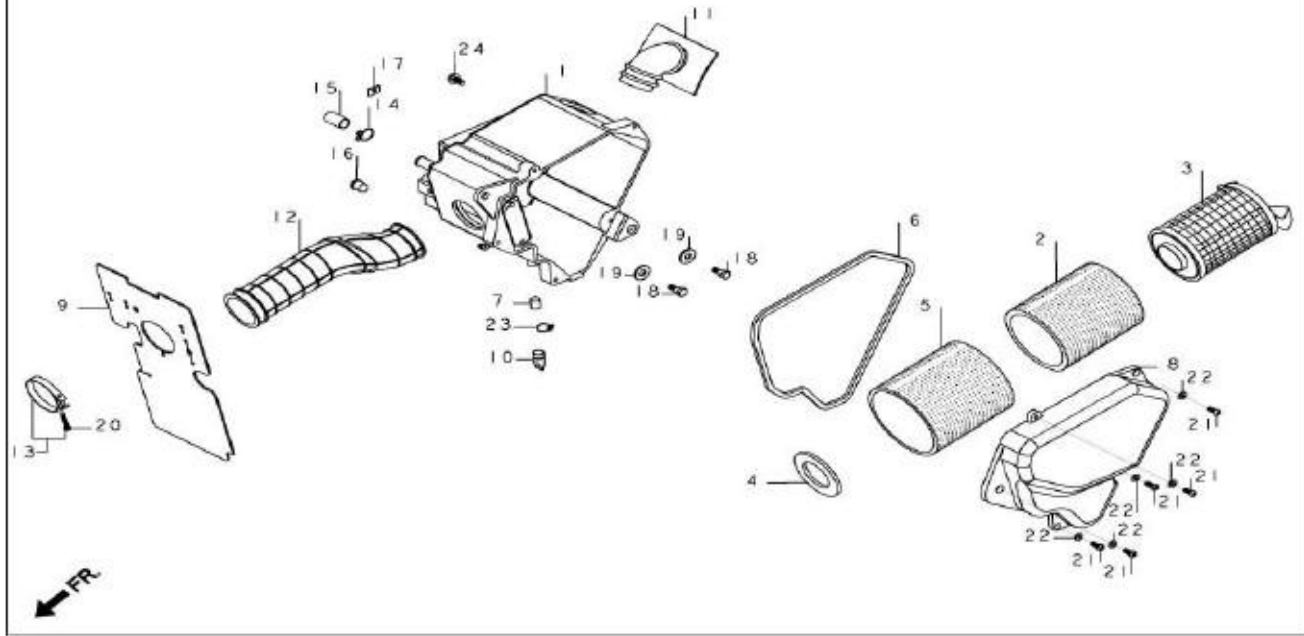


F-15
AIR CLEANER



Service Item	F.R.T.	BOM Of Group Number: F-15 Model :: CD Dawn (Apr, 2003)			
		Ref No.	Part Number	Description	Req.
CASE COMP,AIR CLEANER	0.3	1	17210-198-D00	CASE COMP,AIR CLEANER	1
ELEMENT A, AIR CLEANER	0.2	2	17211-KCC-900L	ELEMENT A, AIR CLEANER	1
HOLDER, ELEMENT	--	3	17212-KCC-900	HOLDER ELEMENT	1
ELEMENT 'B' AIR CLEANER	--	4	17212-KCC-902	RUBBER ELEMENT SEAL	1
COVER, AIR CLEANER CASE	--	5	17213-KCC-900L	ELEMENT B, AIR CLEANER	1
DUCT, AIR CLEANER INLET	--	6	17219-KCC-940	SEAL,AIR CLEANER CASE	1
TUBE, AIR CLEANER CONNECTING	--	7	17222-KCC-902	FILTER	1
		8	17222-KCC-940	COVER,AIR CLEANER CASE	1
		9	17224-KCC-940	WATER GUARD, FRONT	1
		10	17234-KCC-940	TUBE AIR CLEANER DRAIN	1
		11	17251-KCC-940	DUST AIR CLEANER INLET	1
		12	17253-KCC-900	TUBE AIR CLEANER CONNECTING	1
		13	1725A-323-000	BAND 'A' CONNECTING TUBE	1
		14	17369-198-770	CLIP BREATHER TUBE	1
		15	18651-KST-900	PLUG,AIR/C	1
		16	61312-149-300	BOOT, HEADLIGHT BRACKET	1
		17	83407-KCC-901	CUSHION BAND BATTERY	1
		18	90111-187-010	BOLT, HEX SPL. 6MM	2
		19	90111-187-0201	WASHER SPL., 8.5 (Ø20)	2
		20	93500-04025-0A	SCREW PAN, 4 X 25	1