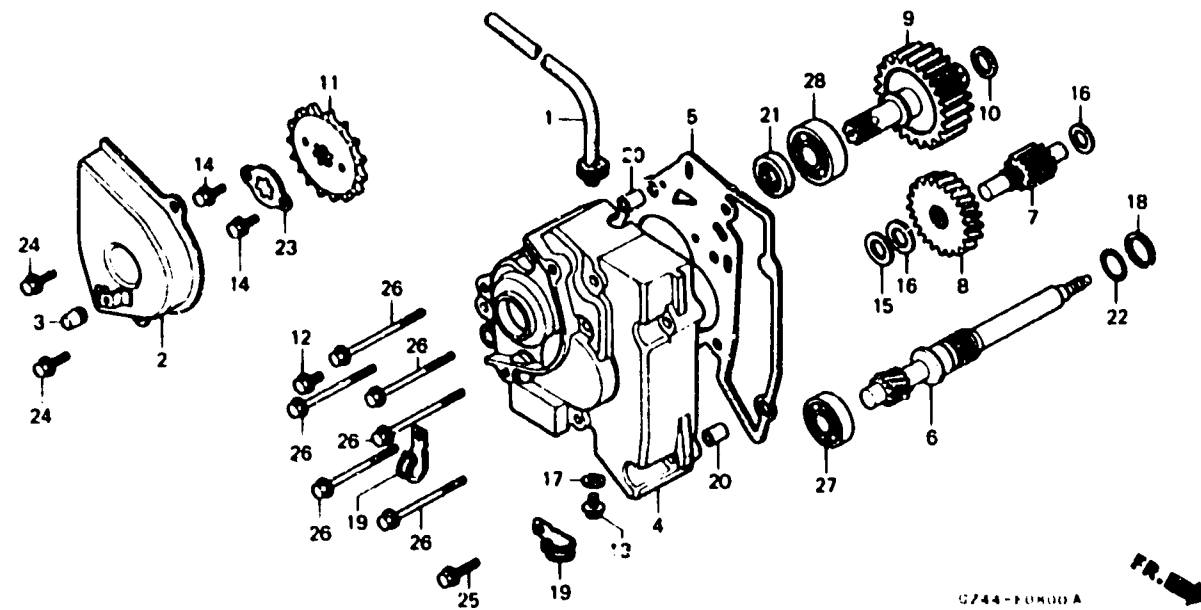


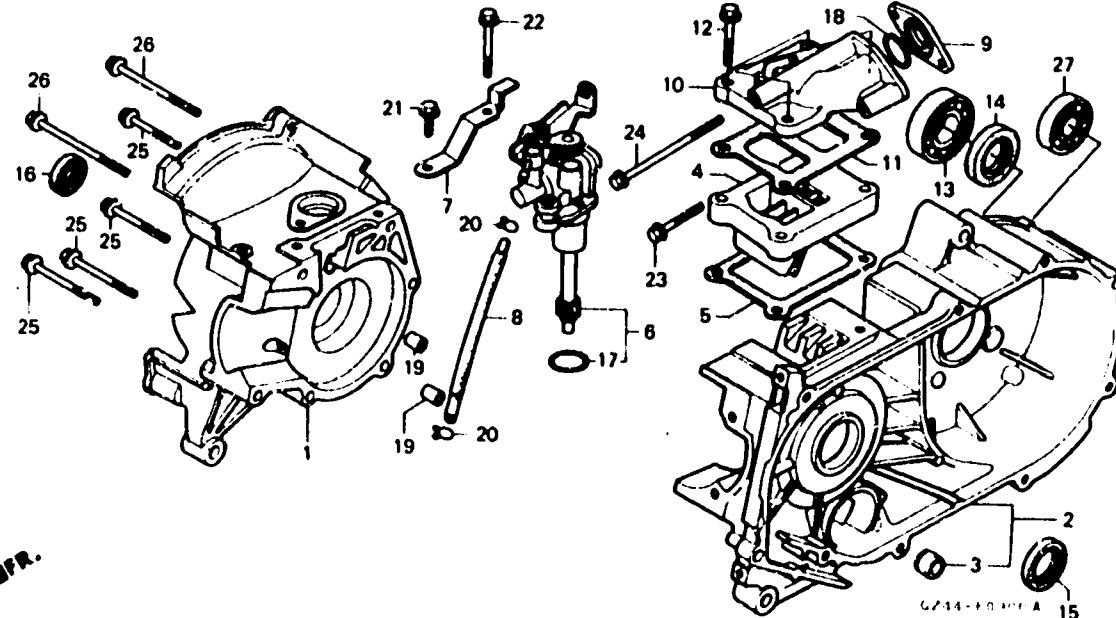
TRANSMISSION



G244-F-0000 A

EZ90 '91		QTY	REQ	PART NUMBER	HONDA CODE
Ref. No.	BLOCK NO. DESCRIPTION				
21	OIL SEAL, 20X30X5	1	91204-187-013	1032242	
22	O-RING, 18.3X2.3	1	91301-166-000	1032267	
23	PLATE, DRIVE SPROCKET FIXING	1	95014-92000	3454139	
24	BOLT, FLANGE, 6X12	2	95701-06012-00	2105799	
25	BOLT, FLANGE, 6X35	1	95701-06035-00	2105864	
26	BOLT, FLANGE, 6X60	6	95701-06060-00	2791119	
27	BEARING, RADIAL BALL, 6202	1	96100-62023-00	1032341	
28	BEARING, RADIAL BALL, 6204	1	96100-62040-00	0674390	

CRANKCASE



G244-F-0000 A

EZ90 '91		QTY	REQ	PART NUMBER	HONDA CODE
Ref. No.	BLOCK NO. DESCRIPTION				
1	CRANKCASE, R...	1	11101-G24-670	3444007	
2	CRANKCASE COMP., L	1	11200-G24-670	3444015	
3	BUSH, 8X12X8	1	11205-GF0-761	1703172	
4	VALVE COMP., REED	1	14100-G24-670	3444593	
5	GASKET A, REED VALVE	1	14211-G24-670	3444684	
6	PUMP ASSY., OIL	1	15100-G24-670	3444809	
7	PLATE, OIL PUMP CABLE SETTING	1	15111-G24-670	3444825	
8	TUBE COMP., OIL PASS	1	15525-G24-670	3444866	
9	INSULATOR, CARBURETOR	1	16211-GW3-000	3445475	
10	PIPE COMP., IN	1	17100-G24-670	3445608	
11	GASKET B, REED VALVE	1	17111-G24-670	3445616	
12	BOLT, FLANGE, 6X37	4	90001-GW0-000	3452869	
13	BEARING, RADIAL BALL, 60/22	1	91005-G24-671	3453776	
14	OIL SEAL, 29X39X6	1	91201-G24-671	3453842	
15	OIL SEAL, 20X31X7	1	91202-GA7-005	1487727	
16	OIL SEAL, 15X25.5X7	1	91202-G24-671	3499787	
17	O-RING, 18.3X2.3	1	91301-166-000	1032267	
18	O-RING, 23X1.9	1	91304-GW3-003	3453933	
19	PIN, DOWEL, 8X20	2	94301-08200	1473369	
20	CLIP 86.5, TUBE	2	95002-02650	0315705	

CONTENTS

TITLE	GRID	PAGE
AIR CLEANER	C10	39
BATTERY	C10	38
BODY COVER	C3	25
CARBURETOR	B8	17
CAUTION LABEL	D4	51
CENTER COVER	C3	24
CRANKCASE	B6	13
CRANKSHAFT	B7	15
CYLINDER	B1	3
DRIVE FACE	B3	7
DRIVEN FACE	D4	9
EXHAUST MUFFLER	C11	41
FAN COVER	B1	2
FRAME BODY	D3	49
FRONT BRAKE PANEL	C6	30
FRONT COVER	C7	23
FRONT FORK	C4	27
FRONT WHEEL	C6	31
FUEL TANK	C8	35
GASKET KIT	B9	19
GENERATOR	B2	4
HANDLE COVER	C2	22
LEFT CRANKCASE COVER	B3	6
MARK	D5	52
OIL TANK	C9	37
PEDAL	C12	42
REAR BRAKE PANEL	C7	32
REAR CUSHION	D2	46
REAR FENDER	D2	47
REAR WHEEL	C7	33
SEAT	C8	34
STARTING MOTOR	B2	5
STEP	C12	43
SWING ARM	D1	45
SWITCH	C1	20
TOOLS	D4	50
TRANSMISSION	B5	11
WIRE HARNESS	D3	48