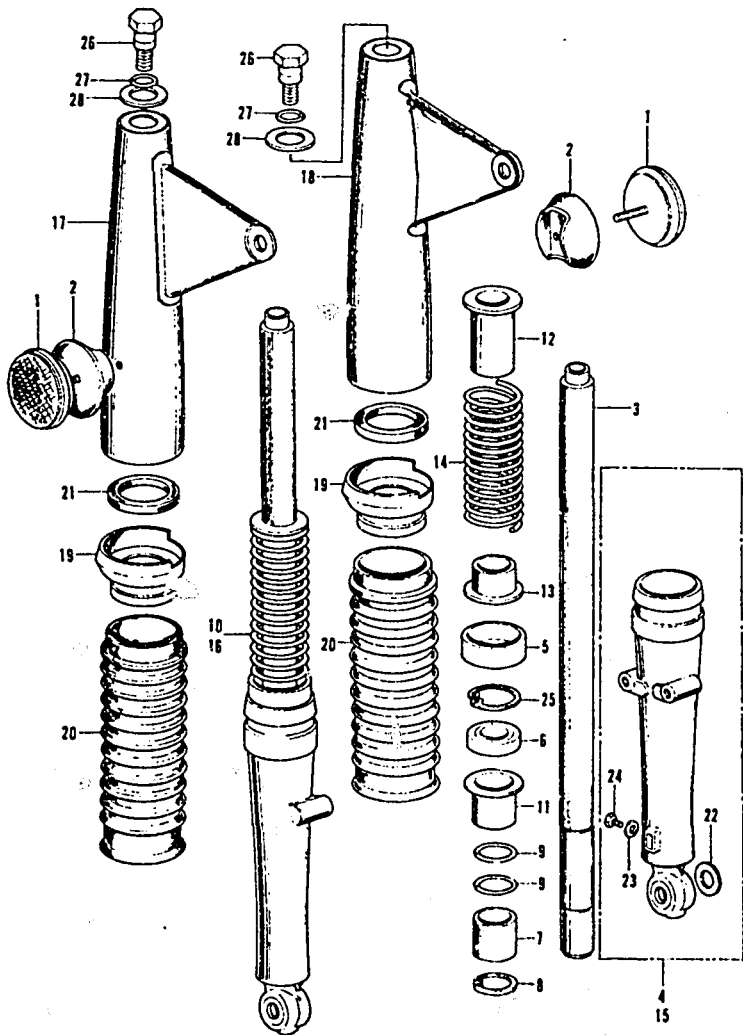


FRONT FORK



F23098004

K1 - CT70K1
K2 - CT70K2

Ref. No.	BLOCK NO. DESCRIPTION	CT70		FRAME SERIAL NUMBER	QTY	PART NUMBER	HONDA CODE
		K1	K2				
		FROM	TO				
1	REFLECTOR, FR. REFLEX	K1	K2	-----	2	33741-340-670	0265454
2	BASE, FR. REFLECTOR	K1	K2	-----	2	33744-098-970	0267856
3	PIPE, FR. FORK	K1	K2	-----	2	51410-098-970	0267526
	PIPE, FR. FORK	K1	K2	-----	2	51410-098-972	0750604
4	CASE, R. FR. FORK LOWER *NH35M* (CLOUD SILVER METALLIC)	K1	K2	-----	1	51420-098-950ZB	0674986
5	SEAT, SPRING LOWER	K1	K2	-----	2	51424-061-000	0186106
6	OIL SEAL, FR. SHOCK	K1	K2	-----	2	51432-051-000	0186114
7	PISTON, FR. FORK	K1	K2	-----	2	51442-051-010	0186130
8	RING, FR. FORK PISTON SNAP	K1	K2	-----	2	51444-031-000	0186148
	RING, FR. FORK PISTON SNAP	K1	K2	-----	2	51527-031-000	1006816
9	RING, FR. FORK PISTON STOPPER	K1	K2	-----	2	51446-031-000	0186155
10	FORK ASSY., R. FR. *NH35M* (CLOUD SILVER METALLIC)	K1	K2	-----	1	51400-098-952ZA	0750570
	FORK ASSY., R. FR. *NH35M* (CLOUD SILVER METALLIC)	K1	K2	-----	1	51450-098-950ZB	0674994
11	GUIDE, FR. FORK PIPE	K1	K2	-----	2	51451-031-000	0186163
	GUIDE, FR. FORK PIPE	K1	K2	-----	2	51476-031-000	1118736
12	GUIDE, FR. FORK SPRING	K1	K2	-----	2	51475-061-010	0186171
13	GUIDE A, FR. CUSHION SPRING	K1	K2	-----	2	51476-061-000	0186189
14	SPRING, FR. FORK	K1	K2	-----	2	51501-098-976	0267492
15	CASE, L. FR. FORK LOWER *NH35M* (CLOUD SILVER METALLIC)	K1	K2	-----	1	51520-098-950ZB	0675017
16	FORK ASSY., L. FR. *NH35M* (CLOUD SILVER METALLIC)	K1	K2	-----	1	51500-098-952ZA	0750703
	FORK ASSY., L. FR. *NH35M* (CLOUD SILVER METALLIC)	K1	K2	-----	1	51550-098-950ZB	0675025
17	COVER, R. FR. FORK UPPER	K1	K2	-----	1	51602-098-950XM	0302802
18	COVER, L. FR. FORK UPPER	K1	K2	-----	1	51606-098-950XM	0302810
19	RIB, FR. FORK	K1	K2	-----	1	51608-098-950	0302828
20	BOOT, FR. FORK	K1	K2	-----	2	51611-098-950	0302836
21	GASKET, FR. FORK RIB	K1	K2	-----	2	51624-242-000	0186254
22	WASHER, 12.5MM	K1	K2	-----	2	90528-229-000	0120196
23	GASKET, FR. FORK DRAIN VALVE	K1	K2	-----	2	90543-273-000	0052209

D6

CONTENTS

TITLE	PAGE	GRID
AIR CLEANER	60	D11
ALTERNATOR	10	B5
BATTERY	88	F1
BRAKE PEDAL	80	E9
CAM CHAIN TENSIONER	14	B7
CAMSHAFT	8	B4
CARBURETOR	38	C7
CHAIN CASE	78	E8
CHANGE PEDAL	98	F6
CLUTCH	18	B9
CRANKCASE	34	C5
CRANKCASE COVER L	10	B5
CRANKCASE COVER R	16	B8
CRANKCASE PROTECTOR	92	F3
CRANKSHAFT	22	B11
CYLINDER	6	B3
CYLINDER HEAD	6	B3
CYLINDER HEAD COVER	2	B1
FENDER FR.	46	D4
FENDER RR.	84	E11
FORK FR.	50	D6
FRAME	92	F3
FUEL TANK	64	E1
GEARSHIFT	26	C1
HANDLEBAR	40	D1
HEADLIGHT	44	D3
HORN	46	D4
INLET PIPE	2	B1
KICK ARM	98	F6
KICK STARTER	32	C4
MUFFLER	66	E2
OIL PUMP	34	C5
PISTON	22	B11
SEAT	60	D11
SHOCK ABSORBER, RR.	76	E7
SIDE STAND	80	E9
SPARK PLUG	2	B1
SPEEDOMETER	44	D3
STEERING STEM	46	D4
STEP	60	E9
SWINGARM	78	E8
TAILLIGHT	84	E11
TOOL SET	96	F5
TRANSMISSION	30	C3
VALVE	8	B4
WHEEL, FR.	54	D8
WHEEL, RR.	70	E4
WIRE HARNESS	88	F1

GRID

D6

CT70K1 ENGINE NO.; CT70E-2000001 TO SUBSEQUENT
 CT70K1 FRAME NO.; CT70-2000001 TO SUBSEQUENT
 CT70K2 ENGINE NO.; CT70E-2100001 TO SUBSEQUENT
 CT70K2 FRAME NO.; CT70-2100001 TO SUBSEQUENT