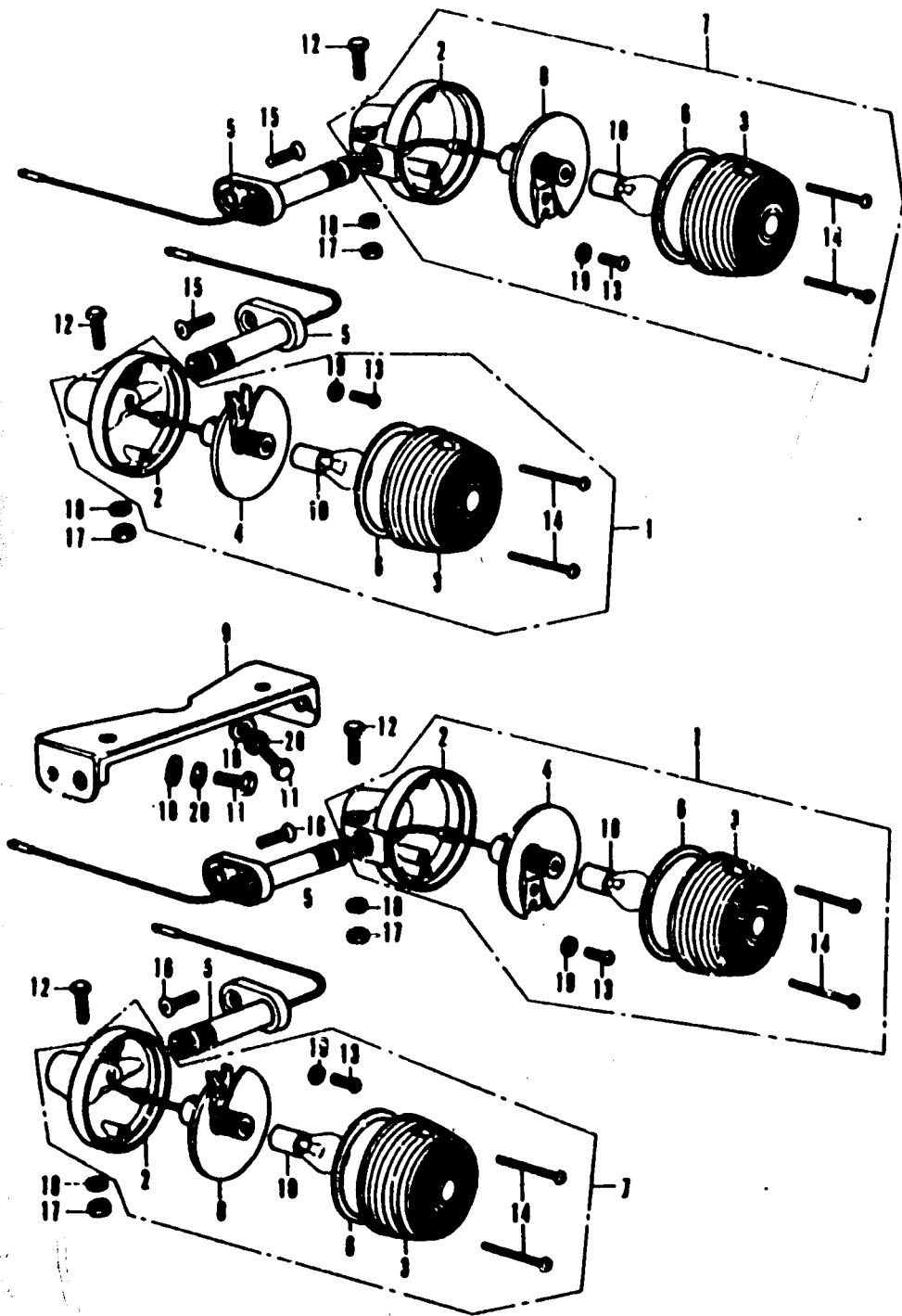


F-17-2 Winker (E)

**E 14**

F-17-2 Winker (E)



Ref. No.	Part No.	Description	Reqd. No.		Serial No.	Area code
			CF	K2		
1	33400-056-671	WINKER ASSY., R. FR. (STANLEY)	2	2		E
2	33401-292-003	BASE, R. FR. WINKER	4	4		E
3	33402-268-671	LENS, FR. WINKER	4	4		E
4	33410-056-671	SOCKET COMP., R. WINKER (STANLEY)	2	2		E
5	33442-028-670	STAY, FR. WINKER	4	4		E
6	33443-268-6	PACKING, FR. WINKER LENS	4	4		E
7	33450-056-671	WINKER ASSY., L. FR. (STANLEY)	2	2		E
8	33460-053-671	SOCKET COMP., L. WINKER (STANLEY)	2	2		E
9	33656-124-000	STAY, RR. WINKER	1	1		E
10	34905-056-671	BULB, WINKER (6V18W)	4	4		E
11	92000-06012	BOLT, HEX., 6X12	1	2		E
12	92000-06028-02	BOLT, HEX., 6X28	4	4		E
13	93500-05008-0A	SCREW, PAN, 5X8	4			E
	93500-05008-0H	SCREW, PAN, 5X8		4		E
14	93700-03025-0A	SCREW, OVAL, 3X25	8			E
	93700-03025-0B	SCREW, OVAL, 3X25		8		E
15	93700-06016	SCREW, OVAL, 6X16	2	2		E
16	93700-06020	SCREW, OVAL, 6X20	2	2		E
17	94001-06000	NUT, HEX., 6MM	4	4		E
18	94101-06000	WASHER, PLAIN, 6MM	6	6		E
19	94111-05000	WASHER, SPRING, 5MM	4			E
	94111-05400	WASHER, SPRING, 5MM		4		E
20	94111-06000	WASHER, SPRING, 6MM	2	2		E