

**J 14**

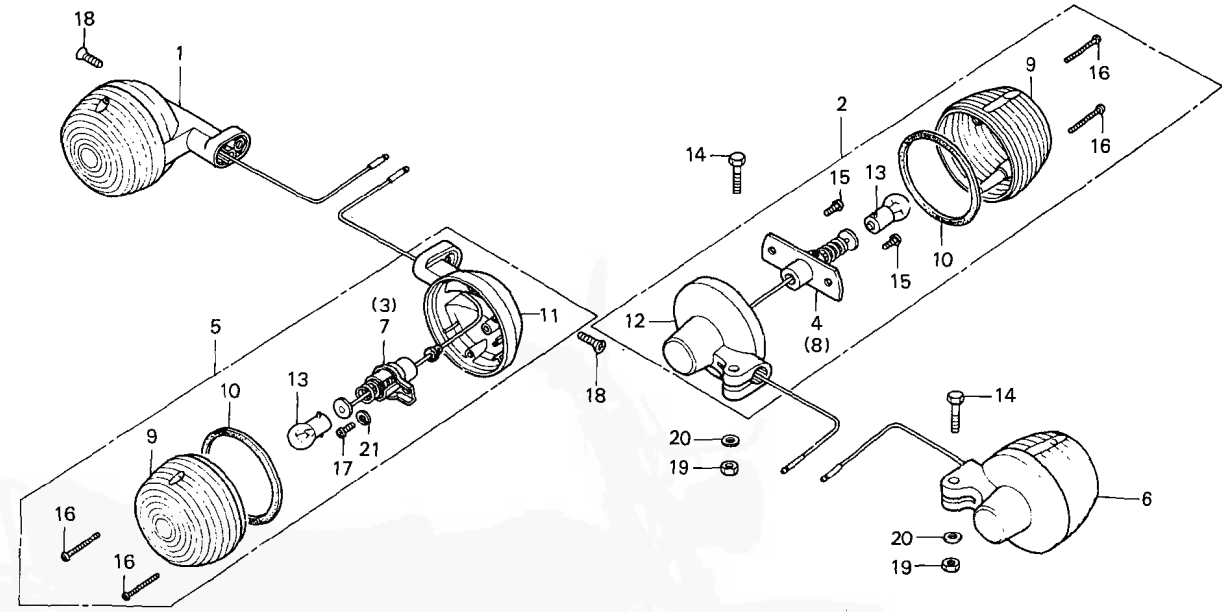
**F-20-1**

Winker (DK,DM)

Clignotant (DK,DM)

Blinker (DK,DM)

Luz intermitente (DK,DM)



B149-41

Service item	F.R.T.	Ref. No.	Part No.	Description	Reqd. No. CB50 J F	Serial No.	Area code
		11	33605-028-712XW	BASE, RR. WINKER	2		DK,DM
		12	33611-041-672	BASE COMP., R. RR. WINKER	2		DK,DM
		13	34905-035-000	BULB, WINKER (6VBW)	4		DK,DM
		14	93000-06028	BOLT, HEX., 6X28	2		DK,DM
		15	93500-03005-0H	SCREW, PAN, 3X5	4		DK,DM
		16	93500-03025-0A	SCREW, PAN, 3X25	8		DK,DM
		17	93500-04006-0A	SCREW, PAN, 4X6	2		DK,DM
		18	93700-06016	SCREW, OVAL, 6X16	2		DK,DM
		19	94001-06000	NUT, HEX., 6MM	2		DK,DM
		20	94101-06000	WASHER, PLAIN, 6MM	2		DK,DM
		21	94111-04000	WASHER, SPRING, 4MM	2		DK,DM