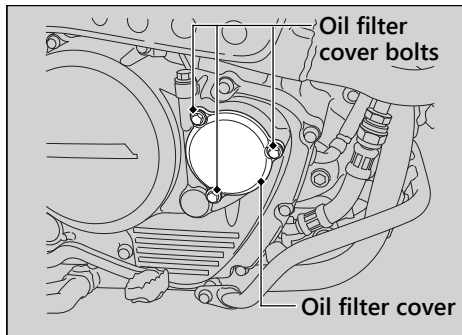
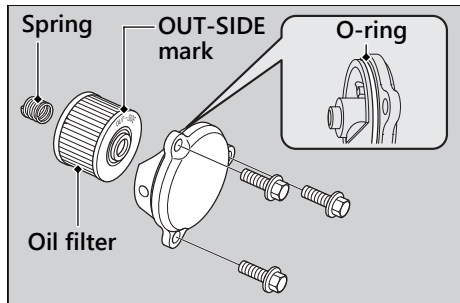


6. Remove the oil filter cover, oil filter and spring by removing the oil filter cover bolts and let the remaining oil drain out.
- Discard the oil and oil filter at an approved recycling center.



7. Replace the O-ring and apply a thin coat of engine oil to the new O-ring before installing it.

8. Position the spring against the engine crankcase and install the new oil filter with the OUT-SIDE mark facing out.



9. Install the oil filter cover by tightening the oil filter cover bolts.

**Torque:** 9 lbf-ft (12 N·m, 1.2 kgf·m)