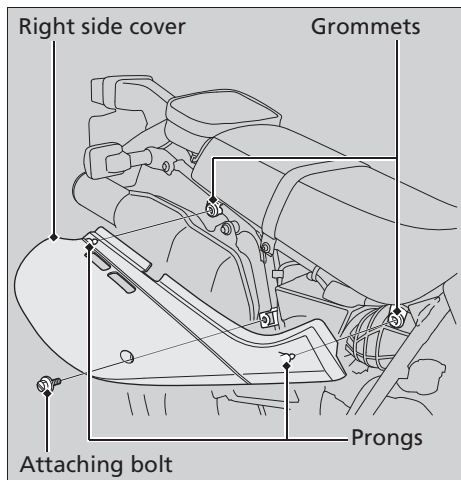


## Right Side Cover



The right side cover must be removed for seat removal.

### Removal

1. Remove the attaching bolt.
2. Pull the right side cover out.

### Installation

1. Position the right side cover so the prongs are aligned with the frame grommets.
2. Push both prongs in.
3. Install the attaching bolt and tighten it.