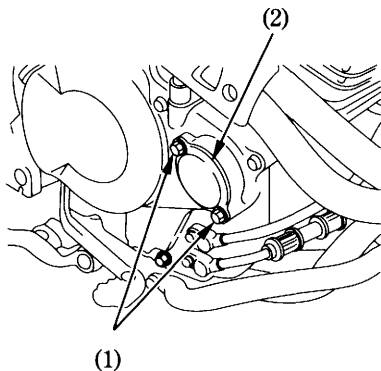


## Engine Oil Filter

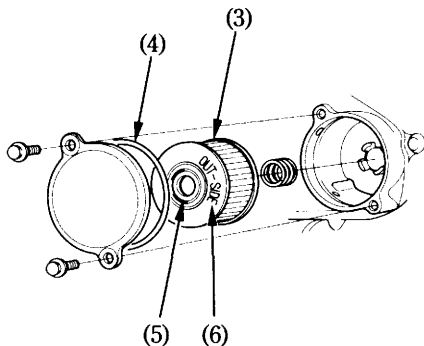
Change the oil filter after draining the engine oil.

1. Remove the oil filter bolts (1) and oil filter cover (2).
2. Remove the oil filter (3) from the cover.



(1) Oil filter bolts      (2) Oil filter cover

3. Check that the oil filter cover O-ring (4) is in good condition and then install the new oil filter. Use the Honda oil filter or an equivalent filter specified for your model. Other filters not specified for your model may not filter impurities properly.



(3) Oil filter      (5) Rubber seal  
(4) O-ring      (6) "OUT-SIDE" mark