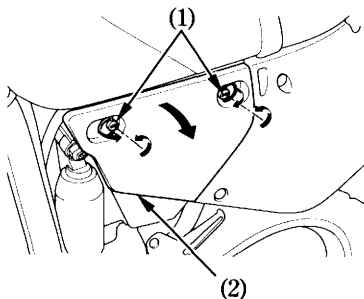


AIR CLEANER

Refer to the Safety Precautions on page 56 .

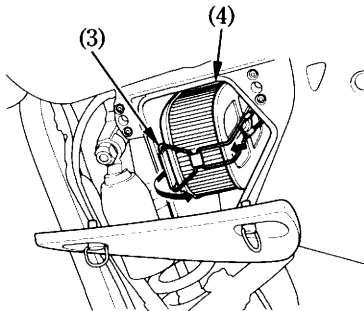
The air cleaner should be serviced at regular intervals (page 58). Service more frequently when riding in unusually wet or dusty areas.

1. Lift the D-ring on each quick-release fastener (1) and turn it counterclockwise until it releases. Open the air cleaner housing cover (2).



- (1) Quick-release fasteners
(2) Air cleaner housing cover

2. Unhook the set spring (3).
3. Remove and discard the air cleaner element (4).



- (3) Set spring

- (4) Air cleaner element