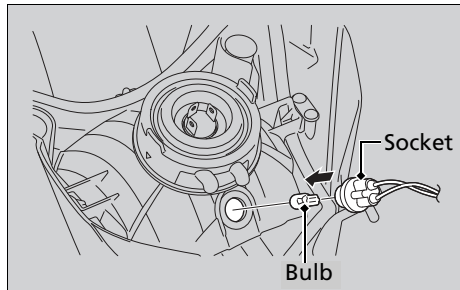
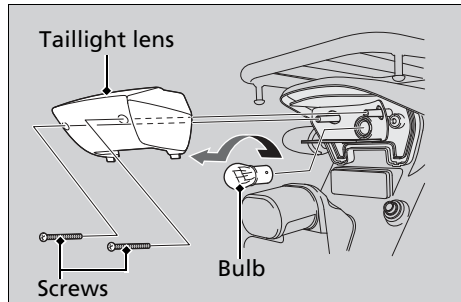


Position Light bulb



1. Remove the headlight assembly. ► P. 92
2. Pull the socket and remove it.
3. Pull out the bulb without turning it.
4. Install a new bulb and parts in the reverse order of removal.

Brake/Tail light bulb



1. Remove the taillight lens by removing the screws.
2. Slightly press the bulb in and turn it counterclockwise.
3. Install a new bulb and parts in the reverse order of removal.
 - After putting back the lens packing in place, install the taillight lens.