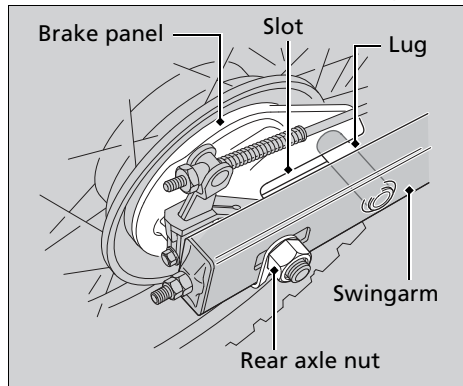


Installation

1. Attach the side collar to the rear wheel.
2. Place the rear wheel between the swingarm and install the drive chain over the rear wheel sprocket.
3. Make sure that the lug on the swingarm is located in the slot of the brake panel.



4. Insert the rear axle shaft from the left side, through the left swingarm, wheel hub, brake panel and right swingarm.
5. Temporarily tighten the rear axle nut.
6. Connect the brake rod to the brake arm.
7. Adjust the drive chain slack. ► P. 73
8. Adjust the rear brake pedal freeplay. ► P. 66
9. Tighten the rear axle nut.

Torque: 93 N·m (9.5 kgf·m, 69 lbf·ft).

10. After installing the wheel, apply the brake pedal several times, then check if the wheel rotates freely. Recheck the wheel if the brake drags or if the wheel does not rotate freely.

If a torque wrench was not used for installation, see your dealer as soon as possible to verify proper assembly. Improper assembly may lead to loss of braking capacity.