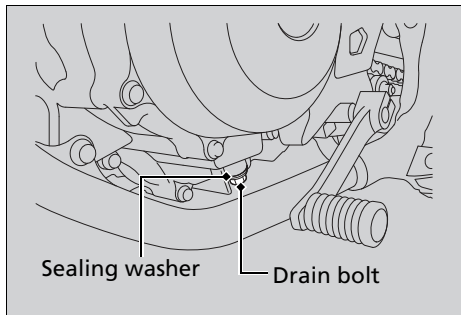


Engine Oil ► Changing Engine Oil

3. Turn the ignition switch off, stop the engine and wait for 2 to 3 minutes.
4. Place a drain pan under the drain bolt.
5. Remove the oil fill cap/dipstick, drain bolt and sealing washer to drain the oil.
 - Discard the oil at an approved recycling centre.



6. Install a new sealing washer onto the drain bolt. Tighten the drain bolt.

Torque: 30 N·m (3.1 kgf·m, 22 lbf·ft).

7. Fill the crankcase with the recommended oil (► P. 45) and install the oil fill cap/dipstick.

Required oil

When changing oil:

1.0 litres (1.1 US qt, 0.9 Imp qt)

8. Check the oil level. ► P. 58
9. Check that there are no oil leaks.