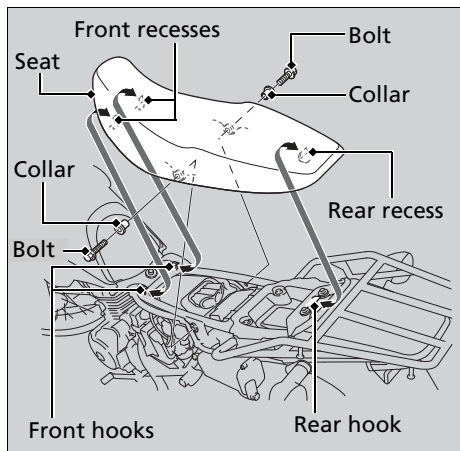


Seat



The seat must be removed to access the owner's manual.

Removal

1. Remove both side covers. ➤ P. 54
2. Remove the bolts and collars.
3. Pull the seat back and up.

Installation

1. Align the front recesses to the front hooks and rear recess to the rear hook.
2. Slide the seat into position.
3. Install the collars and tighten the bolts securely.
4. Install both side covers.