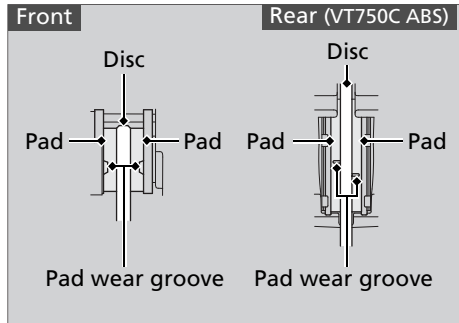


Inspecting the Brake Pads

Check the condition of the brake pad groove wear indicators. The pads need to be replaced if a brake pad is worn to the groove.



1. **Front** Inspect the brake pads from the bottom of the brake caliper.
2. **Rear (VT750C ABS)** Inspect the brake pads from the rear right of the motorcycle. If necessary have the pads replaced by your dealer.

Always replace both left and right brake pads at the same time.