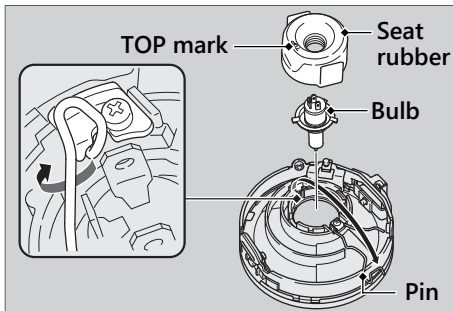
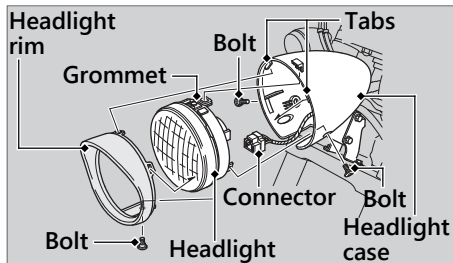


## Headlight Bulb



1. Remove the bolts from the headlight case.
2. Remove the headlight rim by pulling its lower end forward and release the tabs.
3. Remove the headlight by pulling it forward and release the grommet.
4. Disconnect the connector.
5. Remove the seat rubber.
6. Unhook the pin and remove the bulb.
7. Install a new bulb and parts in the reverse order of removal.
  - Install the seat rubber with its TOP mark facing up.

Do not touch the glass surface with your fingers. If you touch the bulb with your bare hands, clean it with a cloth moistened with isopropyl (rubbing) alcohol.