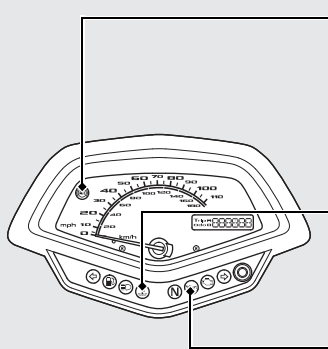



Indicators


If one of these indicators does not come on when it should, have your dealer check for problems.

VT1300CXA




 **ABS (Anti-lock Brake System) indicator**
Comes on when the ignition switch is turned ON.
Goes off when your speed reaches approximately
6 mph (10 km/h).

If it comes on while riding: ➔ P. 90

 **High coolant temperature indicator**
Comes on briefly when the ignition switch is turned ON.

If it comes on while riding: ➔ P. 88

 **Low oil pressure indicator**
Comes on when the ignition switch is turned ON.
Goes off when the engine starts.

If it comes on while engine is running: ➔ P. 89