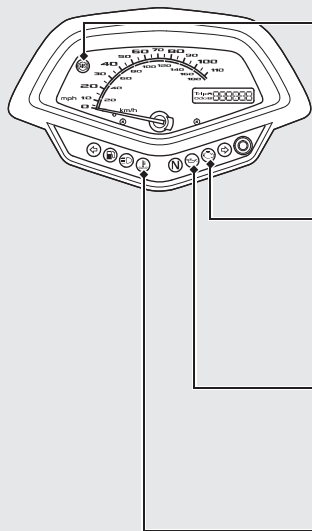


# Indicators




## ABS (Anti-lock Brake System) indicator (VT1300CXA)

Comes on when the ignition switch is turned on.  
Goes off when your speed reaches approximately 6 mph (10 km/h).

**If it comes on while riding:** ➔ P.81



## PGM-FI (Programmed Fuel Injection) malfunction indicator lamp (MIL)

Comes on briefly when the ignition switch is turned on with the engine stop switch in the  (Run) position.

**If it comes on while engine is running:** ➔ P.80



## Low oil pressure indicator

Comes on when the ignition switch is turned on.  
Goes off when the engine starts.

**If it comes on while engine is running:** ➔ P.80



## High coolant temperature indicator

**If it comes on while riding:** ➔ P.79