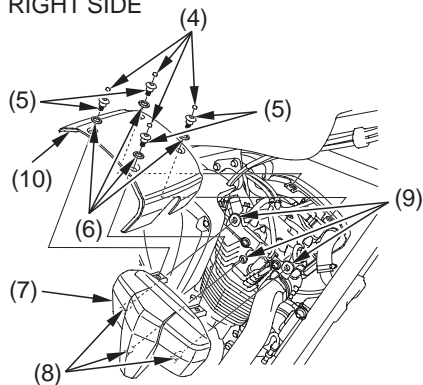


# Spark Plugs

1. Carefully pull the rear over head covers (1) on both sides out until the prongs (2) are clear of the engine grommets (3).
2. Remove the caps (4), bolts (5) and washers (6).
3. Carefully pull the front over head covers (7) on both sides out until the prongs (8) are clear of the engine grommets (9).
4. Remove the front over head center cover (10).

RIGHT SIDE



- |                           |                                   |
|---------------------------|-----------------------------------|
| (4) caps                  | (8) prongs                        |
| (5) bolts                 | (9) engine grommets               |
| (6) washers               | (10) front over head center cover |
| (7) front over head cover |                                   |

(cont'd)