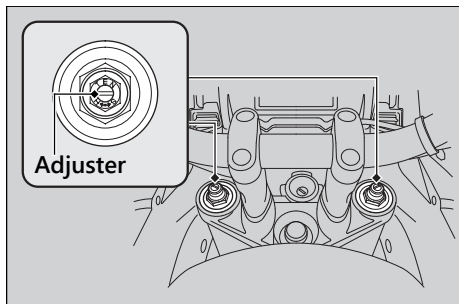


Rebound Damping

You can adjust the rebound damping by the adjuster to suit the load or the road surface. Turn clockwise to increase rebound damping (hard), or turn counterclockwise to decrease rebound damping (soft). The standard position is 7 clicks (**VFR1200X/XA**)/6 clicks (**VFR1200XD/XDA**) from the maximum setting.



NOTICE

Do not turn the adjuster beyond its limits. Adjust both left and right forks to the same rebound damping.