

Changing Clutch Oil Filter

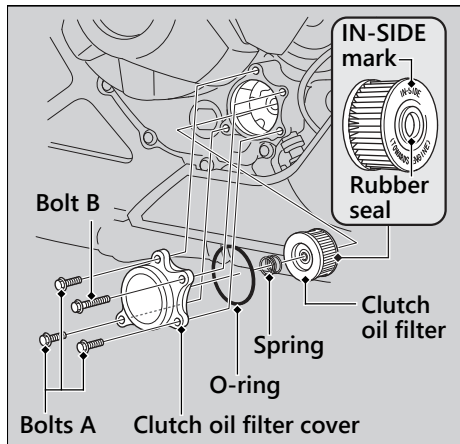
VFR1200XD/XDA

Use a new Honda Genuine clutch oil filter or equivalent specified for your model.

NOTICE

Using the wrong clutch oil filter can result in serious damage to the transmission.

1. Follow the steps 1 - 7 of Changing Engine Oil & Filter. ► P. 83
2. Remove the clutch oil filter cover, clutch oil filter and spring by removing the clutch oil filter bolts A and B.
 - Discard the oil and clutch oil filter at an approved recycling center.



3. Install a new clutch oil filter with the rubber seal facing in, toward the engine. You will see "IN-SIDE" mark on the clutch oil filter body, near the seal.