

# Fuel

---

## Fuel Capacity

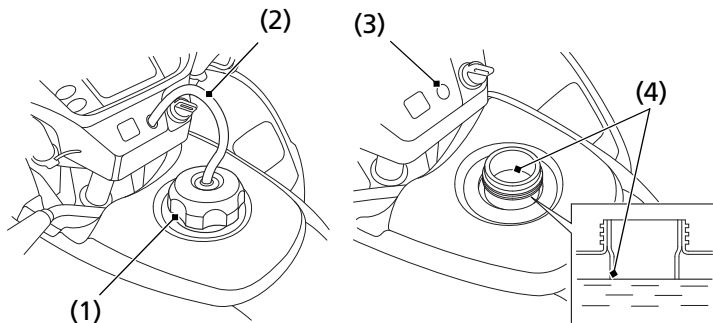
Fuel tank capacity:

4.44 US gal (16.8 ℓ)

The tank should be refilled as soon as possible when the E segment in the fuel gauge flashes.

## Refueling Procedure

Refer to *Safety Precautions* on page 101.



(1) fuel fill cap

(2) breather tube

(3) handlebar cover hole

(4) filler neck