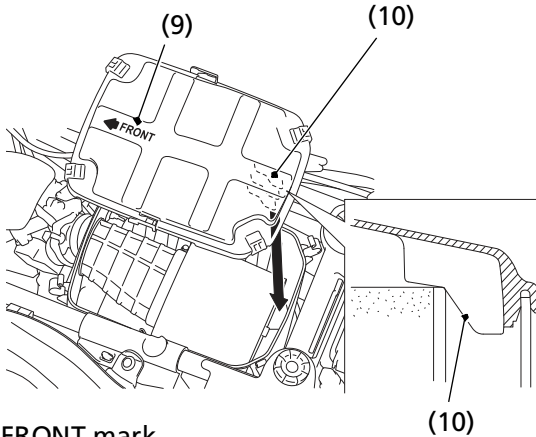


# Air Cleaner

---

11. Install the air cleaner on the air cleaner body.
12. Install the clamp.
13. Insert the air cleaner assembly into the air cleaner housing.
14. Fasten the screw.
15. Reassemble by reversing the disassembly sequence.
  - Install the air cleaner housing cover with the FRONT mark (9) facing forward and fit the cut out of the tab (10) at the end of the air cleaner.

## UNDER SEAT



- (9) FRONT mark  
(10) tab