

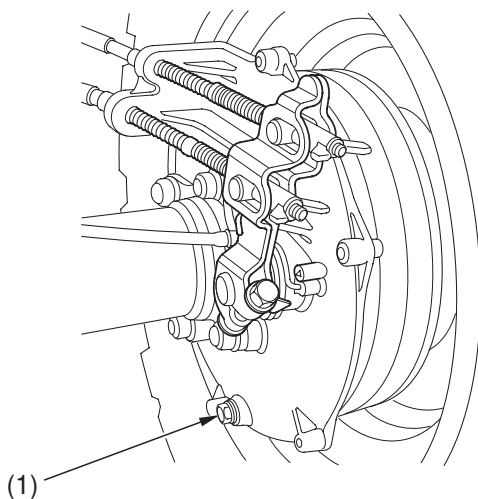
# Brakes

---

## Draining Water from Brakes

Refer to *Safety Precautions* on page 95 .

### RIGHT REAR



(1) rear brake drain bolt

1. Make sure the engine is OFF and the parking brake is set.
2. Remove the rear brake drain bolt ( 1 ) from the bottom of the rear brake panel.  
If any water drains, the brake seals must be replaced by your Honda dealer as soon as possible.