

Controls & Features

Utility Box

The utility box (1) is located on the left side of the front fender. You may store small, lightweight items in the box.

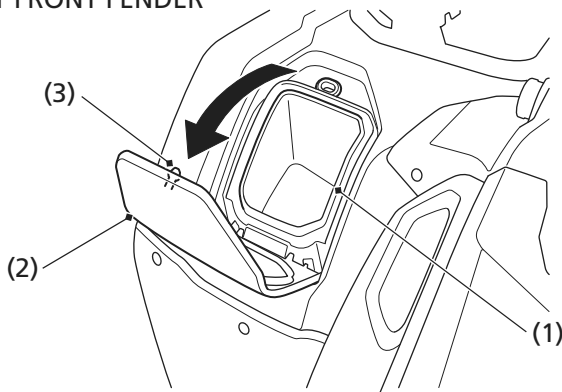
To open:

Pull up the front of the utility box cover (2).

To close:

Push down the front of the utility box cover until it locks in place. Make sure that the stud (3) is locked securely in position by pulling up lightly on the front of the utility box cover.

LEFT FRONT FENDER



(1) utility box

(3) stud

(2) utility box cover