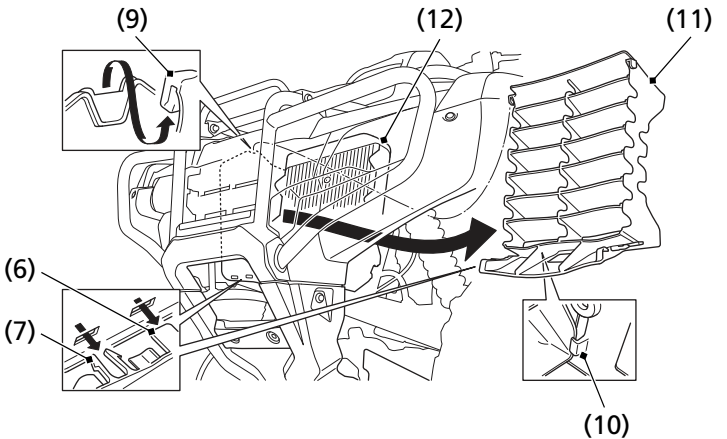


# Coolant

---

7. Remove the center radiator grill cover by releasing the tab A, tab B, hook A and hook B.

FRONT



(6) tab A

(7) tab B

(9) hook A

(10) hook B

(11) center radiator grill cover

(12) radiator core

8. Wash the radiator core (12) and radiator grill covers.

## NOTICE

*Do not apply pressured water directly to the radiator core. The pressured water can damage the radiator core.*

9. Install the removed parts in reverse order of removal.