

Rear Final Gear Oil

- Remove the oil level check bolt (5) and sealing washer (6).
- Pour the drained oil into a suitable container and dispose of it in an approved manner ([page 210](#)).

NOTICE

Improper disposal of drained fluids is harmful to the environment.

- Slowly fill the rear final gear case with the recommended oil until oil starts to flow out of the oil level check hole (7). Allow oil to settle for 2 – 3 minutes before moving to next step to prevent overfilling.

2.9 US oz (85 cm³)

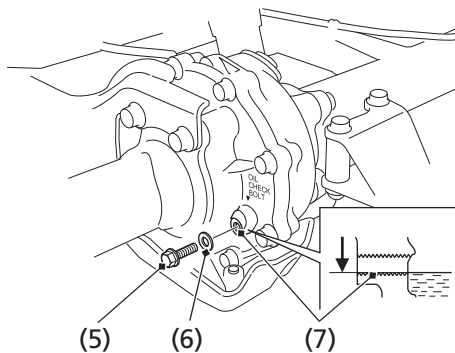
- Coat a new O-ring with grease and install it into the fill cap groove and tighten it to the specified torque:

9 lbf·ft (12 N·m, 1.2 kgf·m)

- Install the oil level check bolt with a new sealing washer and tighten it to the specified torque:

9 lbf·ft (12 N·m, 1.2 kgf·m)

REAR



(5) oil level check bolt

(7) oil level check hole

(6) sealing washer