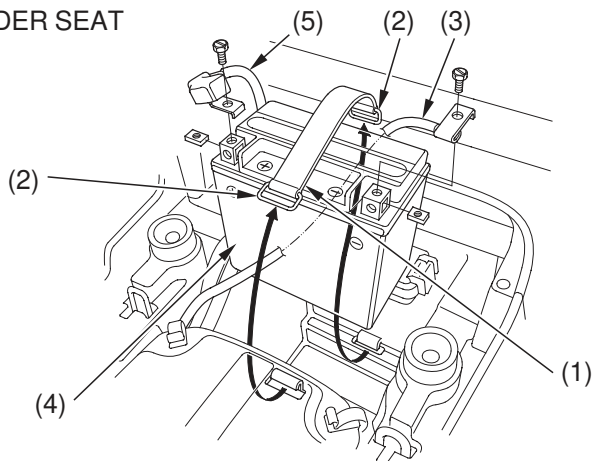


Battery

The battery is located in a compartment under the seat.

UNDER SEAT



- | | |
|--------------------------------|--------------------------------|
| (1) rubber band | (4) battery |
| (2) rings | (5) positive (+) terminal lead |
| (3) negative (-) terminal lead | |

Removal

1. Make sure the ignition switch is OFF (O).
2. Remove the seat (page150).
3. Remove the rubber band (1) by releasing the rings (2).
4. Disconnect the negative (-) terminal lead (3) from the battery (4) first, then disconnect the positive (+) terminal lead (5).
5. Remove the battery.