

Engine Oil & Filter

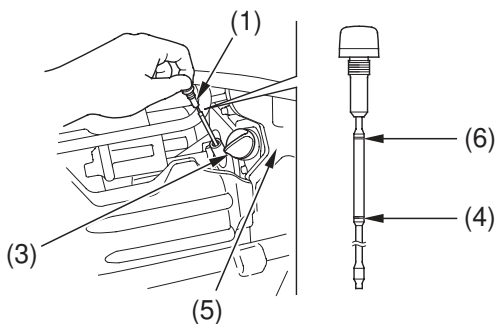
To check the oil level

4. Park your ATV on a firm, level surface.
5. Start the engine in a well-ventilated area and let it idle for 5 minutes.
If the air temperature is below 10 °C (50 °F), let the engine idle for an additional 5 minutes (a total of 10 minutes).
An engine that is not warmed sufficiently may give an inaccurate (low) oil level reading.
6. Stop the engine and wait 2–3 minutes. If the oil is checked while engine is hot, you will get an inaccurate oil level reading.
7. Remove the dipstick (1) from the oil tank (5) and wipe it clean.
8. Insert the dipstick without screwing it in, then remove the dipstick and check the oil level. The oil level should be between the upper level mark (6) and the lower level mark (4) on the dipstick.
9. If required, remove the oil fill cap (3) and add the specified oil into the oil fill cap hole, up to the upper level mark on the dipstick. Do not overfill.
10. Reinstall the oil fill cap and dipstick.

NOTICE

Running the engine with an improper oil level can cause serious engine damage.

RIGHT SIDE



(1) dipstick

(3) oil fill cap

(4) lower level mark

(5) oil tank

(6) upper level mark