

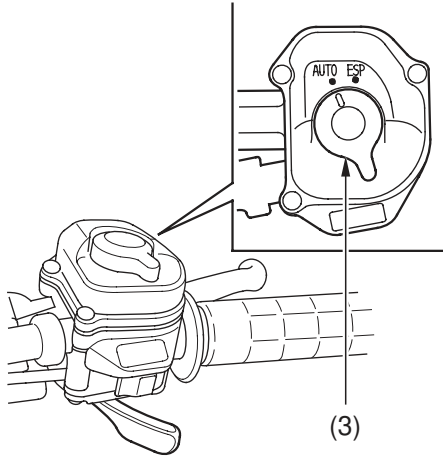
Shifting Gears

The drive mode select switch (3) is located on the right handlebar.

To select the drive mode, bring the ATV to a complete stop and turn the drive mode select switch.

The mode will not change if the switch is operated while the vehicle is moving.

RIGHT HANDLEBAR



(3) drive mode select switch