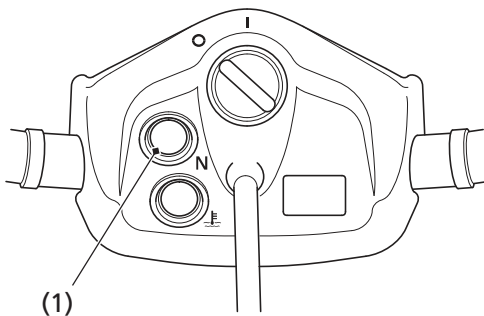


Indicators

Neutral Indicator

CENTER OF HANDLEBAR



(1) neutral indicator

The neutral indicator (1) will light when the transmission is in neutral and the ignition switch is ON (q).

If the indicator does not come on when it should, have your dealer check for a burned-out bulb or other problems.