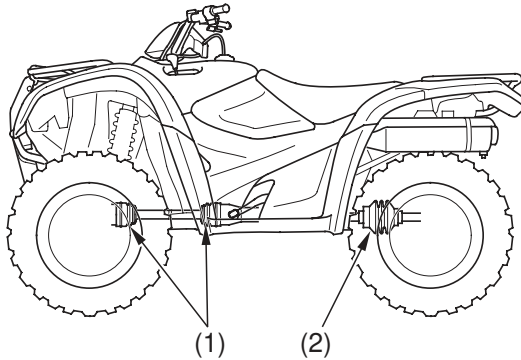


# Drivetrain Boots

## Propeller Shaft Boots & Yoke Joint Boot

Refer to *Safety Precautions* on page 89 .



(1) rubber propeller shaft boots (Except TRX420TM)

(2) rubber yoke joint boot

Check the rubber propeller shaft boots (1) and rubber yoke joint boot (2) for damage or leaking grease. If necessary, have your dealer replace them.