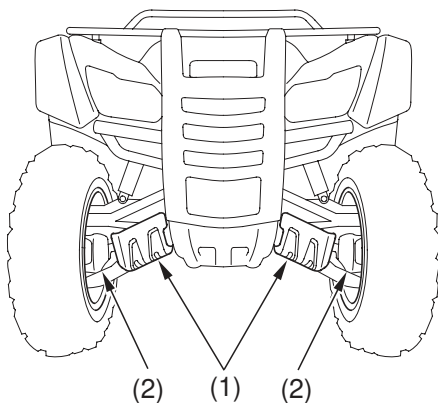


# Guards

---

## Front Boot Guards & Front Driveshaft Guards (Except TRX420TE)

Refer to *Safety Precautions* on page 89.



(1) front boot guards

(2) front driveshaft guards

Check the front boot guards (1) and front driveshaft guards (2) for cracks, damage or looseness.

Tighten any loose fasteners. Replace the front boot guards and front driveshaft guards as required.