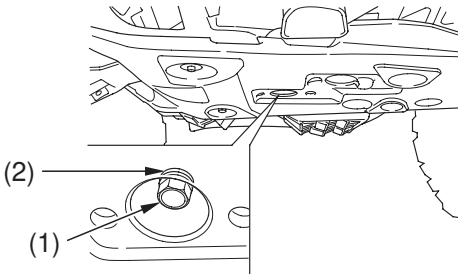


# Engine Oil & Filter

2. Place an oil drain pan under the crankcase and remove the engine oil drain bolt (1) and sealing washer (2).

## UNDER ENGINE



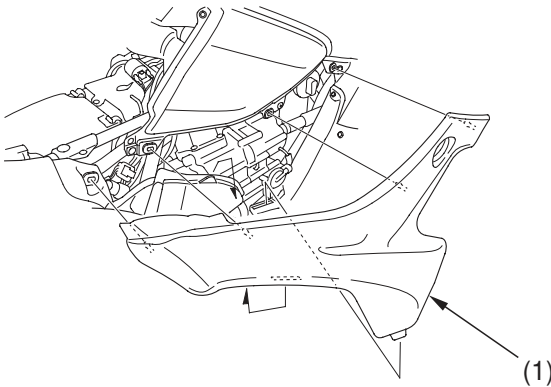
(1) engine oil drain bolt      (2) sealing washer

### *Install a New Engine Oil Filter:*

Place shop towels under the oil filter cover because oil will flow out.

1. Remove the seat (page 100).
2. Unsnap and remove the right side cover (1).

## RIGHT SIDE



(1) right side cover

(1) (cont'd)