

Owner's Manual Storage

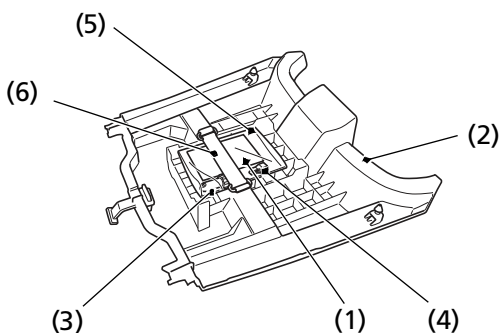
Your ATV provides storage for the owner's manual so you'll have it with you for easy reference. Store your owner's manual (1) in the plastic document bag (5) underside of the rear fender cover (2).

The owner's manual, air pressure gauge (3) and fuse puller (4) should be stored in the plastic document bag (5) and fastened with the rubber band (6).

To remove the rear fender cover, see page 117.

Be careful not to flood this area when washing your ATV.

REAR FENDER COVER UNDERSIDE



(1) owner's manual

(4) fuse puller

(2) rear fender cover

(5) plastic document bag

(3) air pressure gauge

(6) rubber band