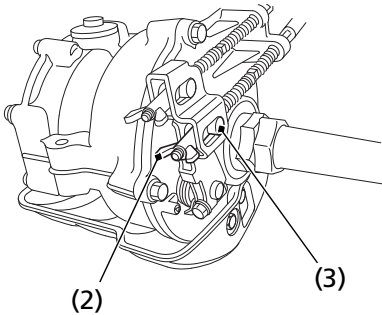
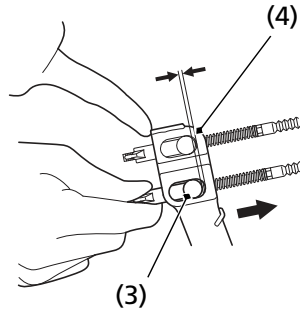


Brakes

RIGHT REAR



- (2) brake pedal adjusting nut
- (3) brake arm pin



- (4) brake arm

Adjustment

Adjust the freeplay of the brake pedal with the front wheels pointed straight ahead.

1. Turn the brake pedal adjusting nut (2), located on the brake operating rod at the rear of the frame. Make sure the cutout on the adjusting nut is properly seated on the brake arm pin (3).
2. Adjust the freeplay of the rear brake pedal. Push the brake arm (4), then check the clearance between the brake arm and the brake arm pin.