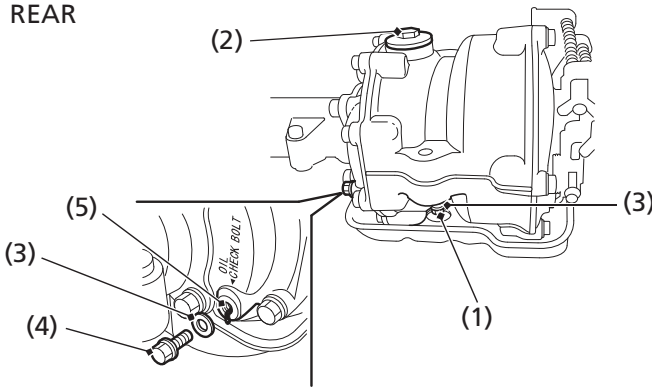


Gear Case Oil

6. Fill the gear case with the recommended oil.
2.7 US oz (80 cm³)
7. Remove the oil level check bolt (4) and sealing washer. Make sure the oil level reaches the oil level check hole (5).
8. Install the oil level check bolt with a new sealing washer and tighten it to the specified torque:
9 lbf·ft (12 N·m , 1.2 kgf·m)
9. Install the oil fill cap and tighten it to the specified torque:
9 lbf·ft (12 N·m , 1.2 kgf·m)

REAR



- | | |
|--------------------|--------------------------|
| (1) oil drain plug | (4) oil level check bolt |
| (2) oil fill cap | (5) oil level check hole |
| (3) sealing washer | |