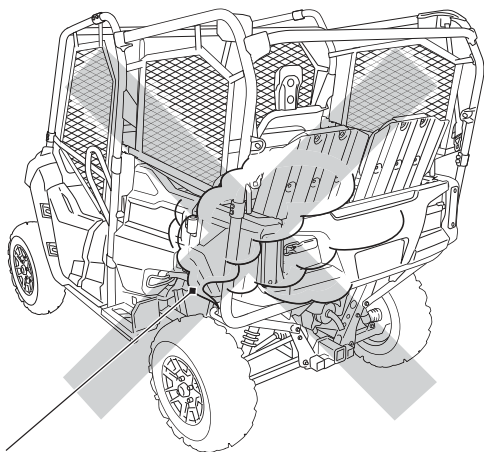


# Exhaust System

---

## Exhaust System Inspection

Stop the engine and check for any sign of exhaust gas leakage. Listen for exhaust leaks near the muffler, which is located by the left rear wheel well.



check for exhaust leakage