

Safety Labels

Your Honda comes with several labels that contain important information.

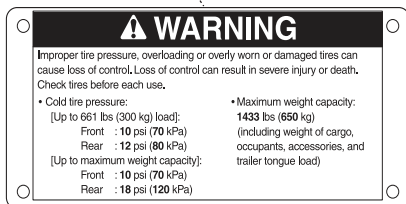
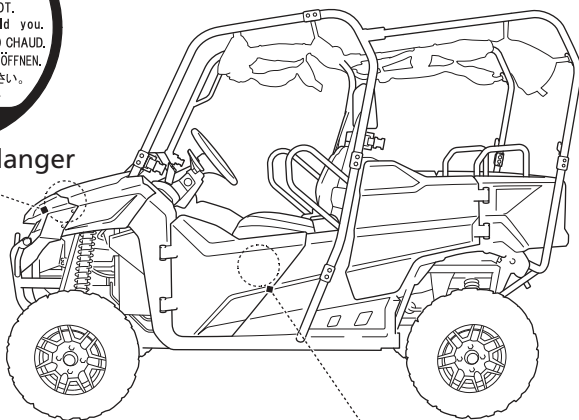
You, and anyone else who operates or rides in the vehicle, should read and understand this information before driving.

The labels should be considered permanent parts of the vehicle. If a label comes off or becomes hard to read, contact your Honda dealer for a replacement.

- ▶ Indicates something apparent.
-◆ Indicates something concealed.



radiator cap danger



tire & overload warning