

Parking Brake Lever Freeplay

Refer to *Safety Precautions* on page 91.

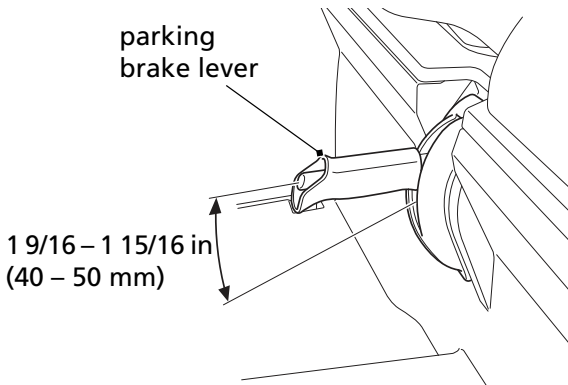
Inspection

Measure the freeplay of the parking brake.

Freeplay is measured from the lever fully disengaged (at stopper) to when lever is pulled up and resistance is felt in lever.

Parking brake lever freeplay is:

1 9/16 – 1 15/16 in (40 – 50 mm)



If adjustment is necessary, have the parking brake adjusted by your dealer.