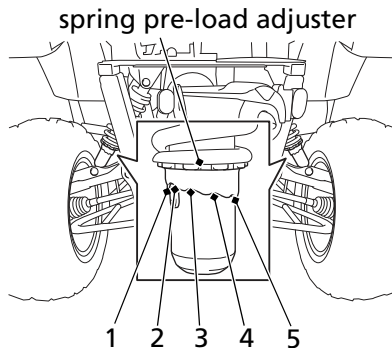


Suspension

Rear Suspension Spring Pre-Load

Refer to *Safety Precautions* on page 91.

REAR



The spring pre-load adjuster has 5 positions for different load or driving conditions. Before adjusting the spring pre-load, jack up your Honda SXS (page 110) to avoid damaging the adjusters.

Use the pin spanner to adjust the shock spring pre-load.

Pin spanner part number: 07702-0020001

Available through your dealer.

Position 1: for a light load and smooth terrain.

Position 2: standard position.

Positions 3 to 5: for when the SXS is more heavily loaded. (Also increase spring pre-load for stiffer suspension.)

Make sure that both shock absorbers are adjusted to the same position.

Always adjust the shock absorber position in sequence (1-2-3-4-5 or 5-4-3-2-1). Attempting to adjust directly from 1 to 5 or 5 to 1 may damage the shock absorber.