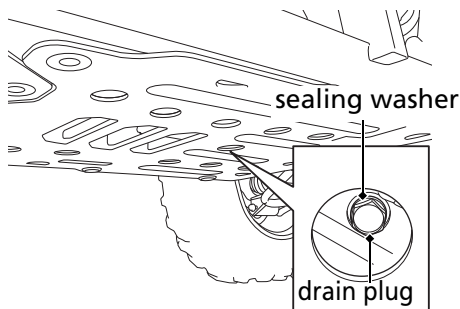


Engine Oil & Filter

4. Place an oil drain pan under the crankcase.
5. Remove the engine oil drain plug and sealing washer.

UNDER BODY



Install a New Engine Oil Filter:

6. Remove the seat back (page 107).
7. Remove the center rear panel (page 108).
8. Remove the clips (page 109) and screws from right seat bottom cover and flip it forward leaving ECU and wiring in place.
The oil filter can be accessed on right side of engine.

UNDER SEAT BOTTOM RIGHT SIDE

