

Suspension

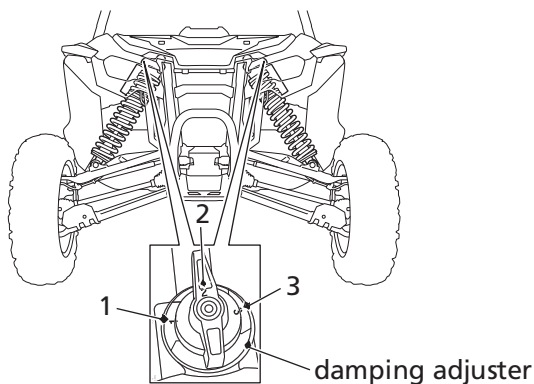
Front Suspension Adjustment (SXS1000S4 only)

The front suspension can be adjusted for driver, passengers and driving conditions by changing the low speed compression damping. Do not attempt to disassemble, service, or dispose of the damper; see your dealer. The instructions found in this owner's manual are limited to adjustments of the shock assemblies.

Front Suspension Damping (SXS1000S4 only)

Refer to *Safety Precautions* on page 115.

FRONT



The damping adjuster has 3 positions for different load or driving conditions.

Position 1: use in low payload conditions at low speeds.

Position 2: standard position.

Position 3: use in high payload conditions such as driving with 4 riders, and/or at higher speeds.

Make sure that both shock absorbers are adjusted to the same position.