

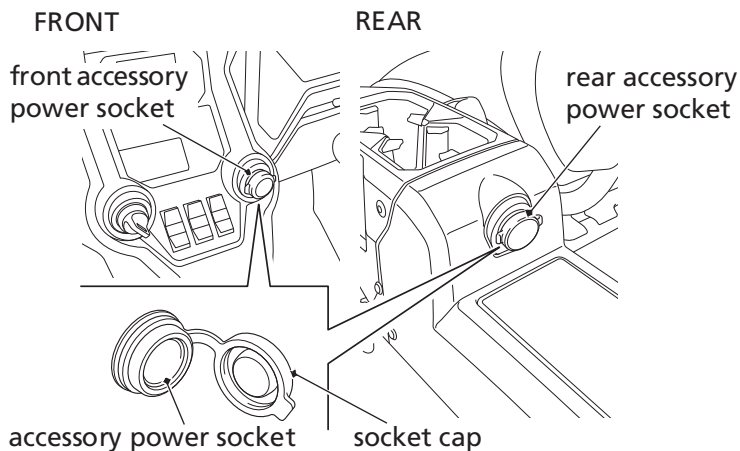
Accessory Power Socket

Your Honda SXS has two accessory power sockets.

The front accessory power socket is located on the right side of ignition switch. The rear accessory power socket is located on the rear end of the center console.

The sockets are intended for 12-volt DC accessories rated for 120 watts (10 amps) or less. Exceeding the limit can blow the accessory socket fuse (see page 239).

The sockets can be used to power such items as a trouble light, spotlight, CB radio, or cell phone, but not a heat-generating accessory, such as a car cigarette lighter.



To use an accessory power socket, the engine must be running.

NOTICE

Using any heat-generating accessory or improperly rated accessory can damage the socket.

Remember to close the caps when you are finished using accessories, and keep water or other fluids away from the sockets.